

3. Change the direction of rotation (see figure B)
Forward turn, push the steering pole to the bottom (move to the left side), which can be used for drilling and screwing.
Reverse, push the side marking of the steering pole to the bottom (move to the right side), which can be used for loosening and turning out the screw.
⚠ Warning: The machine will not change direction until it is completely stationary.
4. Variable Speed (see Figure C)
1 gear speed: high torque/low speed, used for drilling thicker bits or screwing.
2 gear speed: low torque/high speed, used for drilling smaller bits.

When the mechanical gearshift lever is unable to move due to gear collision, press the switch lightly to rotate the motor and then shift.

⚠ Warning: The machine will not change its speed until it is completely stationary.

5. Installation or removal of drill bits (see figure D)
Hold the sleeve of the back half of the chuck and turn the sleeve of the front half counterclockwise to open the chuck. Put the bit into the chuck and push it to the bottom as far as possible. Hold the sleeve ring clockwise and rotate the sleeve to tighten the chuck.
When disassembling the chuck, just hold the sleeve ring and rotate the sleeve counterclockwise.

6. Setting Torsion (see figure E)
Turn the torsion control ring to adjust the machine's torsion. When the number 1 on the torsion control ring is aligned with the knowledge arrow above the machine, the torsion is the smallest. When the mark on the torsion control ring is aligned with the indicator arrow above the machine, the torsion is the largest.

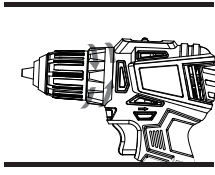
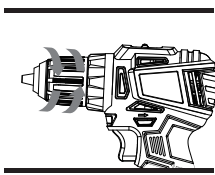
The reference for setting use is as follows

1-7	Rotary Small Screw
8-14	Screw into soft material
15-20	Screw in soft and harder material
⚡	High Strength Drilling

7. Spindle self-locking function
The spindle self-locking function enables the machine to operate as a manual tool. When the battery pack power is exhausted, the machine can be manually rotated to tighten or loosen the screw. At this time, the chuck is fixed.

8. Use LED lights
Press the machine switch to turn on the working lamp, loosen the switch to turn off the working lamp.
LED lights can greatly improve the regularity of use in dark or closed areas.

9. Battery Pack Electricity Measurement
Electricity Display When Four Lamps are Fully Activated. When only one or no light is on, please charge the battery.



10. Drilling operation
⚠ Warning: When drilling holes on the surface of hard materials, a pointed punch and a hammer can be used to mark the place where the drill is to be drilled in order to prevent the bit from slipping. Hold the hand electric drill tightly, align the drill point with the mark, press the switch for drilling operation, and drill with proper pressure. Do not use excessive pressure or offset pressure to make the hole diameter larger.
⚠ Warning: When drilling concrete and stone, please use cemented carbide drills. When drilling metal materials, use high-speed steel drills in good condition.
When using short screw batches, please use magnetic connecting rod (excluding). When twisting the screw, apply a little soap or other lubricant on the screw thread so that it can be easily screwed in.

11. Overload protection
When overload occurs, the motor stops running. The machine is immediately unloaded and cooled for 30 seconds at the maximum idle speed.

12. Discharge protection
The machine is equipped with discharge protection circuit. When the battery power is insufficient, the protection circuit opens and the machine stops turning.

Maintenance

Your electric tools do not need to be lubricated or maintained.
Don't use water or chemical cleaners to clean your electric tools. Just wipe them with a dry cloth. The tools should be stored in a dry environment and the ventilation of the motor should be kept clean. Try not to use it in dusty environment.

Question Answer

1. Why do you press the switch and the machine doesn't work?

There is a steering pole at the top of the switch, which is in the locked position. Put it in the position where it needs to be turned. When the switch button is pressed, the machine will start to turn.

2. Why does the electric drill stop running before the screw is tightened?

At this time, please adjust the torsion adjustment ring between the fuselage and the chuck. The torsion corresponding to position 1 is the smallest and that corresponding to position 19 is the largest. The position is used for drilling, and this problem can be solved by adjusting the torsion adjusting ring to a higher level.

3. Why does the same battery pack work for a long or short time?
As mentioned above, if a battery pack is left unused for a long time, it will shorten its working time. After several times of charging and using, this situation will be improved. When doing heavy work, such as screwing large bolts into hardwood, the battery pack will also consume electricity very quickly. Do not charging in the environment below 0°C or above 45°C, this will also affect the performance of the battery pack.

Environmental protection

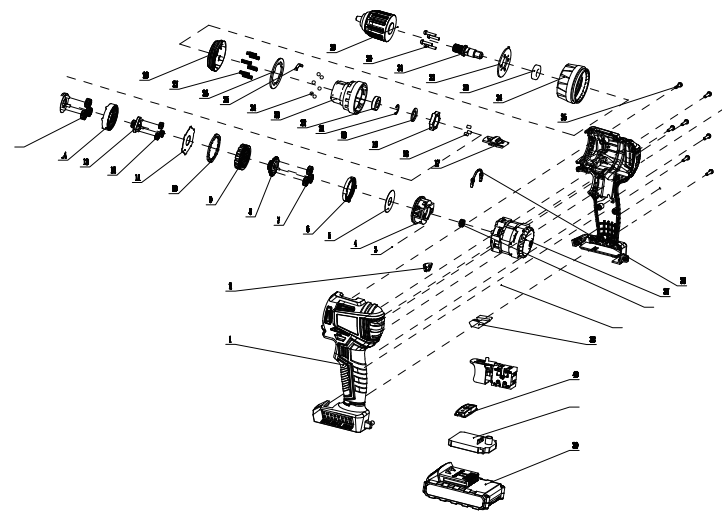


In response to environmental protection, damaged machines, accessories and packaging materials must be classified in detail to facilitate and recycle. In order to facilitate classification and recycling, all plastic parts are marked with material.

Component list

Serial No.	Name	Number	Serial No.	Name	Number
1	Shell	1	22	Shaft sleeve	1
2	Lampshade	1	23	Front Gear Box	1
3	/	/	24	Steel ball	6
4	Back Gear Box	1	25	Torque spring shim	1
5	Gasket of back gear box	1	26	Torque adjustment shim	1
6	First layer anular gear	1	27	Torque spring	6
7	First layer planetary gear	3	28	Torque thread	1
8	First layer planet carrier	1	29	Drill Chuck	1
9	Variable speed gear ring	1	30	Cross recessed countersunk head tapping screws	4
10	Throw-over gasket	1	31	Output shaft	1
11	Interstage gasket	1	32	Output axis clamp	1
12	Second layer planetary gear	3	33	Bearing 6800	2
13	Single speed fluted disc	1	34	Torsion cup	1
14	anular gear	1	35	Cross recessed pan head tapping screws	7
15	Third layer planetary gear	1	36	Shift steel wire	1
16	Axis lock planet carrier	3	37	Motor	1
17	Mechanical variable Speed Button	1	38	Steering lever	1
18	Lock shaft pin	1	39	Battery pack	1
19	Shaft locator	3	40	Power indicator lampshade	1
20	Spacer	1			
21	Shaft ring	1			

*This list just reference.



BROTO
My Tool, My Bro!

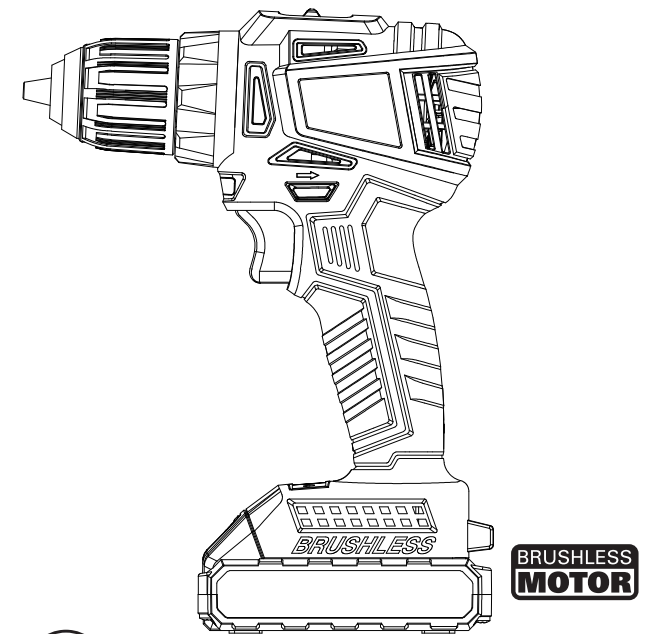
Company : Hunan Jiangyun Intelligent Technology Co.,Ltd

Website : www.brototools.com

Add : Software Centre Building, Lugu Street, High-Tech Development Zone, Yuelu District, Changsha, Hunan, China

BROTO

Hunan Jiangyun Intelligent Technology Co.,Ltd



Note: Please read the instructions carefully before using the machine.

6

Brushless Lithium Power Drill CQ-0013

Brushless Lithium Power Drill CQ-0013

7

8

Brushless Lithium Power Drill CQ-0013

General safety warning for power tools

⚠ Warning! Read all safety warnings, instructions, drawings and regulations that come with power tools. Failure to follow the instructions listed below can result in electric shock, fire and/or serious injury. Save all warnings and instructions for review.
In all of the warnings listed below, the term "power tool" refers to either mains driven (wired) power tools or battery driven (wireless) power tools.

A. Workplace safety

1. Keep the working area clean and bright. Cluttered and dark spaces can cause accidents.
2. Do not operate power tools in an explosive environment, such as flammable liquid, gas or dust. Sparks from power tools can ignite dust or gas.
3. Keep away from children and bystanders when operating power tools. Lack of concentration can cause you to lose control of your tools.

B. Electrical safety

1. The electric plug must match the socket. The plug must not be modified in any way. Grounding power tools should not use any conversion plug. Unmodified plugs and matching sockets will reduce the risk of electric shocks.
2. Avoid human contact with grounding surfaces, such as pipes, heat sinks, and refrigerators. There is an increased risk of electric shock if your body touches the ground surface.
3. Do not expose power tools to rain or moisture. Water entering power tools increases the risk of electric shocks.

C. Personal safety

1. Be alert, pay attention to what you are doing and stay awake when operating power tools. Do not operate power tools when you are tired or have reactions to drugs, alcohol or treatment. Momentary inattention in handling power tools can result in serious injury.
2. Use personal protective devices. Wear goggles and protective devices at all times. Devices such as dust masks, non-slip safety shoes, helmets and hearing protection can be used under appropriate conditions to reduce personal injury.
3. Prevent accidental start. Ensure that the switch is in the off position before connecting the power supply and battery pack, and before picking up or carrying power tools. Placing a finger on a switch to move tools or when the switch is on can be dangerous.
4. Remove all adjusting keys or wrenches before the power tool is connected. Wrenches or keys left on the rotating parts of power tools can cause personal injury.
5. Don't overextend your hands. Always pay attention to your footing and balance. This will give you better control over power tools in unexpected situations.
6. Dress appropriately and avoid loose clothing or accessories. Keep your hair and clothes away from moving parts. Loose fitting clothing, accessories or long hair may get involved in the moving parts.
7. If a device is provided to connect to the dust removal and dust collection equipment, ensure that it is well connected and properly used. The use of dust collecting devices can reduce the hazard caused by dust particles.
8. Don't let the familiarity of frequent use of the tool cause you to ignore the safety guidelines of the tool. A careless action can lead to serious injury in an instant.
D. Use and precautions of power tools
1. Do not force the use of power tools, according to the use of appropriate power tools. Choosing the right power tools designed according to the rating will make your work more efficient and safer.
2. If the power switch cannot be switched on or off, do not use the power tool. Power tools that cannot be controlled by switching are dangerous and must be repaired.
3. Before making any adjustments, replacing accessories, or storing power tools, remove the plug from the power supply and remove the battery. This protective safety measure reduces the risk of accidentally starting power tools.
4. Store unused power tools out of the reach of children and do not allow them to be operated by people who are unfamiliar with power tools and do not understand the instructions. Power tools can be dangerous in the hands of untrained users.
5. Maintain power tools and accessories. Check for moving parts that are in place or stuck, parts that are damaged and other conditions that affect the operation of power tools. If damaged, the power tool should be repaired before use. Many accidents are caused by poorly maintained power tools.
6. Keep cutting tools sharp and clean. A well-maintained tool with a sharp cutting edge does not jam and is easy to control.
7. Select power tools, accessories, tool heads, etc. according to operation instructions, taking into account operating conditions and operations to be performed. Using power tools for operations that are not appropriate for their purpose can lead to dangerous situations.

8. Keep handle and holding surface dry, clean and free from grease. In the event of an accident, a slippery handle does not guarantee secure grip and control of the tool.
E. Battery tools and precautions
1. Use only the charger battery specified by the manufacturer. Chargers that work in one battery pack may be a fire hazard when used in other battery packs.
2. Use only power tools equipped with special battery packs. Use of other battery packs may cause injury and fire.
3. When the battery pack is not in use, keep it away from other metal objects such as paper clips, coins, keys, nails, screws, or other small metal objects to prevent one end of the battery pack from connecting to the other. A short circuit at the end of the battery pack may cause combustion or fire.
4. Under abusive conditions, liquid may spill out of the battery pack. Avoid contact. If accidental contact with liquid, rinse with water. Seek medical attention if fluid touches the eye. Liquid spilled from the battery may corrode or burn.
5. Do not use damaged or modified batteries or tools. Damaged or modified battery packs can have unpredictable results, resulting in fire, explosion, or injury.
6. Do not expose the battery pack to fire or high temperature. Exposure of the battery pack to fire or high temperatures above 130°C may cause an explosion.
F. Maintenance
1. Use the same spare parts to repair power tools by professional maintenance personnel. This will ensure the safety of the power tools being repaired.
2. Never repair a damaged battery pack. The battery pack can only be repaired by the manufacturer or its authorized service provider.

8. Some materials contain toxic chemicals. Be careful not to breathe in dust and avoid skin contact. Follow material supplier's safety tips.

Keep these manuals properly

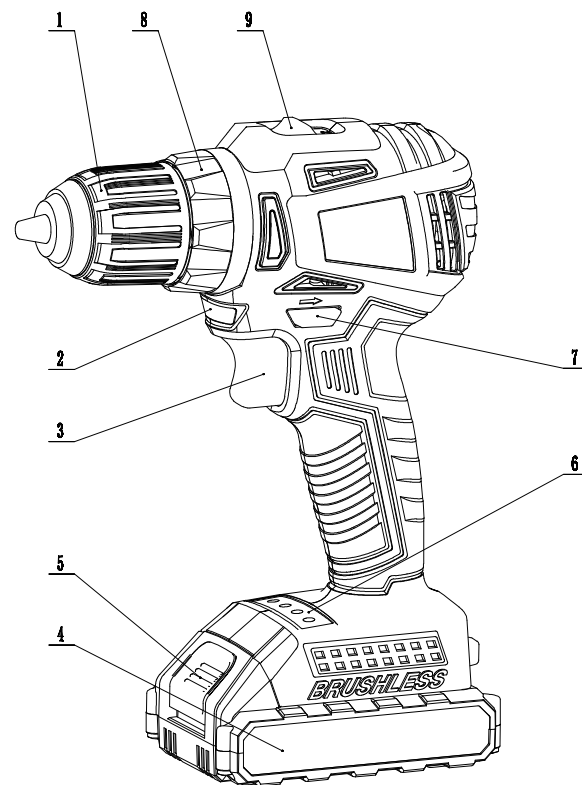
⚠ Warning: Do not follow the product safety rules for convenience or because you are familiar enough with the product (due to repeated use). Improper use or failure to follow the safety rules in this manual can result in serious personal injury.

Marks

- To minimize damage, users should read the instructions carefully before using
- Warning label
- Indoor use only
- Do not place in rain or water
- Do not expose to fire
- Please wear a dust mask
- Please wear goggles
- Please wear protective ear muffs
- The body of the product (excluding battery) does not contain toxic or harmful substances or elements, and it is a green product. It can be recycled after waste, and should not be discarded at will.
- The battery of this product contains toxic and harmful substances or elements, its environmental protection life is 10 years, it can be recycled after discarded, should not be discarded at will.

Rechargeable drill safety warning

1. If the tool is provided with an auxiliary handle, use the auxiliary handle. Uncontrolled use of the tool may cause personal injury.
2. If the working attachment may come into contact with hidden wires during operation, hold the working insulated gripping surface. When the work accessory comes into contact with the "live" wire, the exposed metal part of the power tool may also become "live" and give the operator an electric shock.
3. Make sure your feet are standing still. When using tools from a height, make sure no one is below you.
4. Hold tools tightly.
5. Keep your hands away from the rotating parts.
6. Do not operate the tool without being looked after. You can use this tool only by hand.
7. Do not touch the drill or work immediately after operation, these parts may be very hot and burn your skin.



1. Chuck
2. LED light
3. on/off switch
4. Battery pack
5. Battery lock knob
6. steering lever
7. Electric quantity display
8. Torsion adjusting ring
9. Mechanical variable Speed Button (front fast and back slow)

*Some of the accessories mentioned in the drawings or words are not included in the scope of supply.
**Buckle can be installed (this model does not include buckle)

Parameter

Voltage	20V	
No-load speed	0-450/0-1500r/min	
Torsion adjustment gear	20+1	
Max chuck capacity	10mm	
Max drilling capacity	Steel	10mm
	Wood	35mm
Battery	2000mAh/4000mAh	

We suggest that you choose your accessories from the shop where you buy power tools. Please use the high quality accessories of well-known brands and choose the accessories that are suitable for your work. Please refer to the attached package description before use, you will get more methods and help to use.

Product Usage Description

Read all warnings and instructions. Failure to follow the warnings and instructions may result in electric shock, fire or other serious injury.

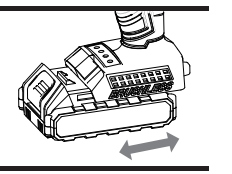
Operational guidelines

Note: Before using the machine, please read the instructions carefully.

Purpose: This tool is used to screw or drill holes in wood, metal and plastic.

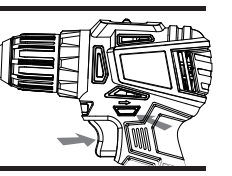
•Charge

The charger and the machine need to be used together. It is strictly prohibited to use other chargers. In high temperature environment or after long-term use, the machine may become hot. At this time, please do not charge immediately, and recharge after the battery is cooled. Otherwise, the service life of the battery will be shortened or the battery can not be recharged due to overheating.
When the machine is charged for the first time or not used for a long time, after 2-3 times of charging and discharging, the battery efficiency can reach 100%.
The battery pack can be inserted into the charger in only one direction. Turn the battery pack until it can be inserted into the charger. When the red light of the charger is on, the charging begins.
When a full battery pack is inserted into the charger, the smart charger will detect the voltage of the battery pack. When the unlock voltage is not reached, the charger will not charge the battery pack and the red light will not turn green.
Installation/removal of battery packs (see figure A)
To remove the battery pack, press the lock in front of the battery pack and pull it out.
To insert the battery pack, just push it into the machine, do not use too much force.



•Operation

1. Start/close (see figure B)
Press the switch, start the machine, loosen the machine to stop running. The switch has braking function. When the switch is loosened, the chuck stops turning immediately.
The force applied on the switch can change the speed, and the range of change is from 0 to the maximum speed. Small force, low speed, easy to control, do not let the machine stop running because it bears too much load.
⚠ Warning: Do not operate at low speed for a long time, or there will be overheating reaction inside the machine.
2. Switch lock
The switch has lock protection function, which is helpful to reduce the Misstart of the hand drill when it is not in use. By adjusting the steering lever to the median position, the machine can be locked.



1

Brushless Lithium Power Drill CQ-0013

Brushless Lithium Power Drill CQ-0013

2

3

Brushless Lithium Power Drill CQ-0013

Brushless Lithium Power Drill CQ-0013

4

Brushless Lithium Power Drill CQ-0013

5