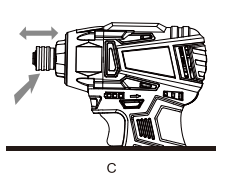
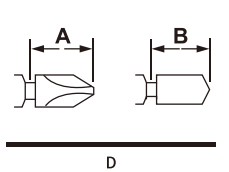


**•Operation**

- Start/stop (see figure B)
- Press the switch, start the machine, loosen the machine to stop running. The switch has braking function. When the switch is loosened, the chuck stops turning immediately. The force applied on the switch can change the speed, and the range of change is from 0 to the maximum speed. Small force, low speed, easy to control, do not let the machine stop running because it bears too much load.
  - Warning: Do not operate at low speed for a long time, or there will be overheating reaction inside the machine.
- Switch lock
- The switch has lock protection function, which is helpful to reduce the Miss start of the hand drill when it is not in use. By adjusting the steering lever to the median position, the machine can be locked.
- Change the direction of rotation (see figure B)
- Forward turn, push the steering pole to the bottom (move to the left side), which can be used for drilling and screwing. Reverse, push the side marked of the steering pole to the bottom (move to the right side), which can be used for logging and turning out the screw.
  - Warning: The machine will not change direction until it is completely stationary.
- Installation batch(see figure C)
- Pull the sliding sleeve in the opposite direction of the fastage pull it to the end and insert the appropriate batch.After the batch head is inserted in the end.The sliding sleeve is loosened and the sliding sleeve is automatically reset.The batch head will be locked.
- Caution:
  - When repairing power tools, replacing batch on power tools or moving power tools, it is necessary to adjust the reversing lever to the central position. If the switch is inadvertently activated, it may cause harm.
  - Wear gloves when disassembling the batch head or let the batch head and chuck cool down first. After continuous work, the bit will become very hot.
  - If the sliding lever does not bounce back, it means that the batch head not installed properly and needs to be reinstalled.
  - Installing suitable drills may drill hole in wood, metal and plastics, but the accuracy is not high. It is suggested that other changing drills manufactured by our company can be used instead of operation.
  - After continuous work, the head aluminum housing temperature will very high, please aware of burns.

**6**      **Brushless Lithium Impact Screwdriver CQ-0016**

- Disassembly batches
- Hold the sliding sleeve and pull it in the opposite direction of the fastage. After pulling it in the end, the batch head is unlocked and the batch head is taken out with the other hand.
  - Warning (see figure D)
- No batches of other sizes can be used. The machine can only use batches A-17MM and B-14MM correctly, but can not use batches A-12MM and B-9MM on the machine. Otherwise it will cause failure of the batched that can not be disassembled or difficult to dismantle.
- Temperature-controlled overload protection device
- If power tools are used as required, the machine will not overheat. In the case of intense load or the temperature of the battery outside the allowed temperature range (0-70°C), the speed of the machine will decrease. After the temperature of the battery is restored to the allowable temperature range, the power tools can operate again at the highest speed.
- Discharge protection
- The machine is equipped with discharge protection circuit. When the battery power is insufficient, the protection circuit opens and the machine stops turning.
  - Warning:
    - Make sure that the screw batch has been closed before the batch head can be placed on the screw otherwise the rotating batch head can easily slide off the screw.
    - Check that reversing lever is adjusted to the right position (left or right), hold the machine firmly, and place the head batch on the screw to be operated, exert appropriate pressure to ensure that the batch head holds the slot of the screw. Don't press the screw batch too hard, otherwise the misoperation will cause the screw batch to slip off the screw and cause damage to articles and personnel.
  - Caution:
    - When the screw is tightened, loosen the switch immediately to prevent the screw from being damaged.
  - Use LED lights
  - Press the machine switch to turn on the working lamp, loosen the switch to turn off the working lamp.
  - LED lights can greatly improve the regularity of use in dark or closed areas.
  - Battery Pack Electricity Measurement
  - Electricity Display When Three Lamps are Fully Activated. When only one or no light is on, please charge the battery.
- Maintenance**
- Your electric tools do not need to be lubricated or maintained.
- There is a steering pole at the top of the switch, which is in the locked position. Put it in the position where it needs to be turned. When the switch button is pressed, the machine will start to turn.
- Why does the same battery pack work for long or short time?
  - As mentioned above, if a battery pack is left unused for a long time, it will shorten its working time. This is the problem of charging times. After several times of charging and using, this situation will be improved. When doing heavy work, such as screwing large bolts into hardwood, the battery pack will also consume electricity very quickly. Do not charging in the environment below 0°C or above 45°C, this will also affect the performance of the battery pack.
- FAQ**
- Why do you press the switch and the machine doesn't work?
  - There is a steering pole at the top of the switch, which is in the locked position. Put it in the position where it needs to be turned. When the switch button is pressed, the machine will start to turn.
- Why does the same battery pack work for long or short time?
  - As mentioned above, if a battery pack is left unused for a long time, it will shorten its working time. This is the problem of charging times. After several times of charging and using, this situation will be improved. When doing heavy work, such as screwing large bolts into hardwood, the battery pack will also consume electricity very quickly. Do not charging in the environment below 0°C or above 45°C, this will also affect the performance of the battery pack.

**7**      **Brushless Lithium Impact Screwdriver CQ-0016**

### Environmental protection

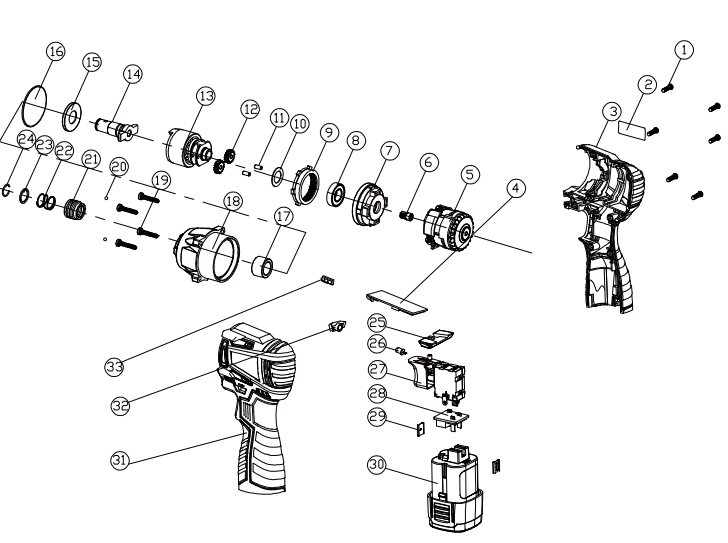
In response to environmental protection, damaged machines, accessories and packaging materials must be classified in detail to facilitate and recycle. In order to facilitate classification and recycling, all plastic parts are marked with material.

**Component list**

Serial No.	Name	Number	Serial No.	Name	Number
1	STP14 Cross recessed pan head tapping screw	6	18	Head aluminum housing	1
2	Label	1	19	STP13 Cross recessed pan head tapping screw	4
3	Right housing	1	20	Steel ball	2
4	PCB board	1	21	Sliding sleeve	1
5	Motor	1	22	Limit spring	1
6	Motor gear Z17	1	23	High gear	1
7	Motor cover plate	1	24	Steel ball bushing ring	1
8	6801-32 Deep groove ball bearing	1	25	Steering lever	1
9	Hexagon armilar gear Z45	1	26	LED light	1
10	Pin quation	1	27	Switch	1
11	Gear pin	2	28	Plug	1
12	Planet gear Z17 H4.5	2	29	Fuelage buckle	2
13	Blow piece module	1	30	30V Battery pack	1
14	Output shaft	1	31	Left housing	1
15	Oil seal ring	1	32	Lampshade	1
16	Steel ring	1	33	Power indicator lampshade	1
17	Axle sleeve	1			

\*This list just reference.

**8**      **Brushless Lithium Impact Screwdriver CQ-0016**



**BROTO**  
My Tool, My Bro!

Company : Hunan Jianguyun Intelligent Technology Co.,Ltd  
Website : www.brototools.com  
Add : Software Centre Building, Lugu Street, High-Tech Development Zone, Yuelu District, Changsha, Hunan, China

**BRUSHLESS MOTOR**

Note: Please read the instructions carefully before using the machine.

**9**      **Brushless Lithium Impact Screwdriver CQ-0016**      **Instruction**

**General safety warning for power tools**

**Warning!** Read all warnings, instructions, drawings and regulations that come with power tools. Failure to follow the instructions listed below can result in electric shock, fire and/or serious injury. Save all warnings and instructions for review.

In all of the warnings listed below, the term "power tool" refers to either mains driven (wired) power tools or battery driven (wireless) power tools.

**A. Workplace safety**

- Keep the working area clean and bright. Cluttered and dark spaces can cause accidents.
- Do not operate power tools in an explosive environment, such as flammable liquid, gas or dust. Sparks from power tools can ignite dust or gas.
- Keep away from children and bystanders when operating power tools. Lack of concentration can cause you to lose control of your tools.

**B. Electrical safety**

- The electric plug must match the socket. The plug must not be modified in any way. Grounding power tools should not use any conversion plug. Unmodified plugs and matching sockets will reduce the risk of electric shocks.
- Avoid human contact with grounding surfaces, such as pipes, heat sinks, and refrigerators. There is an increased risk of electric shock if your body touches the ground surface.
- Do not expose power tools to rain or moisture. Water entering power tools increases the risk of electric shocks.
- Do not abuse the flexible wire. Never use the flexible wire to carry, pull the power tool or pull out its plug. Keep flexible wire away from heat sources, oil, sharp edges or moving parts. Damaged or wound cords increase the risk of electric shock.
- Use extension cords suitable for outdoor use when using power tools outdoors. Wires suitable for outdoor use will reduce the risk of electric shocks.
- If operation of power tools in wet conditions cannot be avoided, use a power supply with residual current device (RCD) protection.

**C. Personal safety**

- Be alert, pay attention to what you are doing and stay awake when operating power tools. Do not operate power tools when you are tired or have reactions to drugs, alcohol or treatment. Momentary inattention in handling power tools can result in serious injury.
- Use personal protective devices. Wear goggles and protective devices at all times. Devices such as dust masks, non-slip safety shoes, helmets and hearing protection can be used under appropriate conditions to reduce personal injury.
- Prevent accidental start. Ensure that the switch is in the off position before connecting the power supply and battery pack, and before picking up or carrying power tools. Pressing a finger on a switch to move tools when the switch is on can be dangerous.
- Remove all adjusting keys or wrenches before the power tool is connected. Wrenches or keys left on the rotating parts of power tools can cause personal injury.
- Don't overexert your hands. Always pay attention to your footing and balance. This will give you better control over power tools. Keep your feet and shoulders away from moving parts. Loose fitting clothing, accessories or long hair may get involved in the moving parts.
- If a device is provided to connect to the dust removal and dust collection equipment, ensure that it is well connected and properly used. The use of dust collecting devices can reduce the hazard caused by dust particles.
- Use only the power tools specified by the manufacturer. Check for moving parts that are in place or stuck, parts that are damaged and other conditions that affect the operation of power tools. If damaged, the power tool should be repaired before use. Many accidents are caused by poorly maintained power tools.
- Keep cutting tools sharp and clean. A well-maintained tool with a sharp cutting edge does not jam and is easy to control.
- Select power tools, accessories, tool heads, etc. according to operation instructions, taking into account operating conditions and operations to be performed. Using power tools for operations that are not appropriate for their purpose can lead to dangerous situations.
- Keep hands and holding surface dry, clean and free from grease. In the event of an accident, a slippery hand does not guarantee secure grip and control of the tool.
- Battery tools and precautions**
  - Use only the charger battery specified by the manufacturer. Chargers that work in one battery pack and battery pack, and before picking up or carrying power tools. Pressing a finger on a switch to move tools when the switch is on can be dangerous.
  - Use only power tools equipped with special battery packs. Use of other battery packs may cause injury and fire.

**3. When the battery pack is not in use, keep it away from other metal objects such as paper clips, coins, keys, nails, screws, or other small metal objects to prevent one end of the battery pack from connecting to the other. A short circuit at the end of the battery pack may cause combustion or fire.**

**4. Under abusive conditions, liquid may spill out of the battery pack. Avoid contact. If accidental contact with liquid, rinse with water. Seek medical attention if fluid touches the eye. Liquid spilled from the battery may corrode or burn.**

**5. Do not use damaged or modified batteries or tools. Damaged or modified battery packs can have unpredictable results, resulting in fire, explosion, or injury.**

**6. Do not expose the battery pack to fire or high temperatures above 130°C may cause an explosion.**

**F. Maintenance**

- Use the same spare parts to repair power tools by professional maintenance personnel. This will ensure the safety of the power tools being repaired.
- Never repair a damaged battery pack. The battery pack can only be repaired by the manufacturer or its authorized service provider.

**Rechargeable drill safety warning**

- If the tool is provided with an auxiliary handle, use the auxiliary handle. Uncontrolled use of the tool may cause personal injury.
- If the working attachment may come into contact with hidden wires during operation, hold the working insulated gripping surface. When the work accessory comes into contact with the "live" wire, the exposed metal part of the power tool may also become "live" and give the operator an electric shock.
- Make sure your feet are standing still. When using tools from a height, make sure no one is below you.
- Hold tools tightly.
- Keep your hands away from the rotating parts.
- Do not operate the tool without being locked after. You can use this tool only by hand.
- Do not touch the tool or work immediately after operation, these parts may be very hot and burn your skin.
- Some materials contain toxic chemicals. Be careful not to breathe in dust and avoid skin contact. Follow material supplier's safety tips.

**Keep these manuals properly**

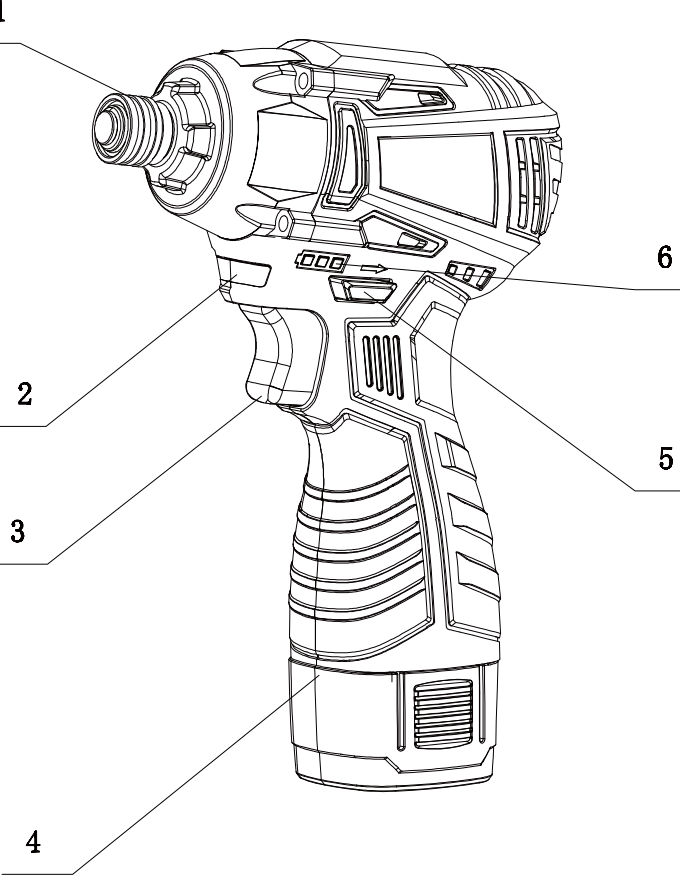
**Warning!** Do not follow the product safety rules for convenience or because you are familiar enough with the product (due to repeated use). Improper use or failure to follow the safety rules in this manual can result in serious personal injury.

**Marks**

- Warning label
- Indoor use only
- Do not place in rain or water
- Do not expose to fire
- Please wear a dust mask
- Please wear goggles
- Please wear protective ear muffs

The battery of this product contains toxic and harmful substances or elements, its environmental protection life is 10 years. It can be recycled after discarded, should not be discarded at will.

**2**      **Brushless Lithium Impact Screwdriver CQ-0016**



**1**      **Brushless Lithium Impact Screwdriver CQ-0016**

**Parameter**

Voltage	16V
No-load speed	0-3200RPM
Impact Frequency	0-4500BPM
Max Torque	150N.m
Max Screw Diameter	M4-M12
Chuck	1/4" Hexagon
Battery	2000mAh

We suggest that you choose your accessories from the shop where you buy power tools. Please use the high quality accessories of well-known brands and choose the accessories that are suitable for your work. Please refer to the attached package description before use, you will get more methods and help to use.

**4**      **Brushless Lithium Impact Screwdriver CQ-0016**

**Product Usage Description**

Read all warnings and instructions. Failure to follow the warnings and instructions may result in electric shock, fire or other serious injury.

**Operational guidelines**

Note: Before using the machine, please read the instructions carefully.

Purpose: This tool is used to screw or drill holes in wood, metal and plastic.

**•Charge**

The charger and the machine need to be used together. It is strictly prohibited to use other chargers. In high temperature environment or after long-term use, the machine may become hot. At this time, please do not charge immediately, and recharge after the battery is cooled. Otherwise, the service life of the battery will be shortened or the battery can not be recharged due to overheating. When the machine is charged for the first time or not used for a long time, after 2-3 times of charging and discharging, the battery efficiency can reach 100%.

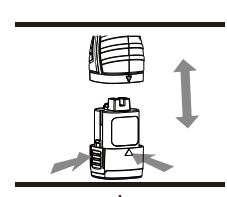
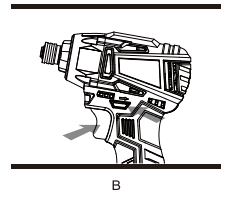
The battery pack can be inserted into the charger in only one direction. Turn the battery pack until it can be inserted into the charger. When the red light of the charger is on, the charging begins.

When a full battery pack is inserted into the charger, the smart charger will detect the voltage of the battery pack. When the unlock voltage is not reached, the charger will not charge the battery pack and the red light will not turn green.

Installation/removal of battery packs (see figure A)

To remove the battery pack, press the lock in front of the battery pack and pull it out.

To insert the battery pack, just push it into the machine, do not use too much force.

**5**      **Brushless Lithium Impact Screwdriver CQ-0016**