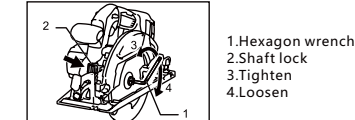


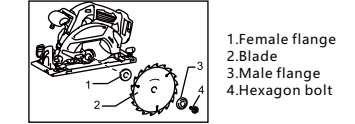
单页大小: 105*140mm

Remove or install the saw blade

1. To install a saw blade, please make sure the sawtooth up to the front of tool.
Please use only BROTO wrench to install or remove the saw blade.



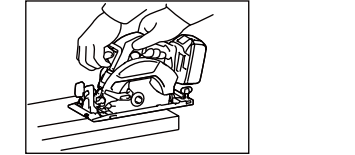
To remove the saw blades, please press the lock shaft so that the saw blades can not turn, and then use the wrench to unscrew the hex bolt clockwise. Then remove the outside hexagon bolt, flange and saw blade.



When to install the saw blade, can do the reverse of the disassembly process. Please be sure to tighten the hex bolt counterclockwise. When replace the saw blade, please read maintenance described in part to ensure clean the accumulation of sawdust in the upper and lower blade cover at the same time. But, it's still need to check bottom shield before use.

Operation

Please make sure that slowly moving forward in a straight line. Use powerful or dullest tool can also cause a dangerous motor overheating and rebound, may result in serious injury. During operation, please be sure grip front handle and back handle at the same time, hang on.



Please tightly hold this tool. This tool with a front handle and a back handle. Please use the two handles at the same time for most firmly grasping tool. If the hands grip the circular saw, saw blade will not be able to cut. Put the tool base on the cutting workpiece, saw blade shall not be in contact with the workpiece. Then start the tool and waiting until the saw blade to operate again when running at full speed. Now, you just need to completed this tool in workpiece surface, to keep the smooth flat forward.

To make smooth cutting, please keep the cutting saw straight line, and the saw blade should keep the same speed. If it is incorrectly along with your cutting line. Please do not attempt to reverse tool or forced to return tool cutting line. Otherwise it may make the saw blade binding on cutting material, and lead to dangerous rebound, can cause severe injury. Release the switch trigger for saw blade to stop, then put the tool to exit from the cutting material. Tool to align on new cutting line, and then start cutting. The operator should try to avoid standing while exposed to the circular saw cutting when the fragments and the position of the wood chips. Use safety glasses to help avoid injury.

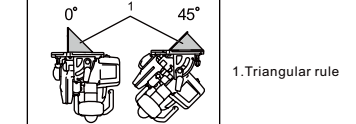
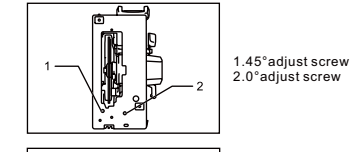
Guide



Accompanying guide will help you to precise linear cutting. Simply on the lateral sliding along the workpiece cutting saw plate, and then use the base in the front of the clamping screw fastening it in place. Can also be used to cut saw guide to repeat cutting width is consistent.

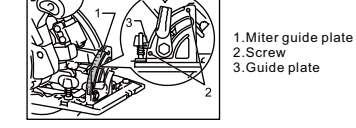
Maintenance
Attention: Before assembling the tools, power off the tools and take out the battery pack.
Clean the upper and lower cover to ensure that there is no accumulated sawdust that could impede the operation of the lower cover system. A dirty

shield system may limit its operation, resulting in serious injury. The most efficient way to accomplish cleaning is to use compressed air. If the sawdust is blown out of the protective cover, be sure to wear proper safety glasses and respiratory protection.
Do not use gasoline, benzene, thinner, alcohol or similar cleaning tools. Failure to do so may result in discoloration, deformation, or cracks.
0° and 45° Angle precise sawing adjustment (vertical and 45° cutting)



The tool has made the adjustment before they send out. But if not adjustment, adjust the adjusting screw to the hex wrench, at the same time using triangular rule and square to check that saw blades and the base are at 0° and 45° use 45° stop dog to do 45°.

Adjust miter guide plate



Tool has made miter guide adjustment before they send out. But if not adjustment, you can be adjusted according to the following steps.
To adjust the miter guide plate, please unscrew the two screws, 0° line in the inclined guide plate and base plate alignment, set the base for 0°.
In order to guarantee the safety and reliability of the

product, service, and any other maintenance or adjustment need to be performed by BROTO authorized service center. Be sure to use BROTO replacement parts.

Accessories

Saw blade *1
Guide *1
Scale bar *1
Hexagon wrench *1
Hexagon wrench *1
BROTO original battery and charger

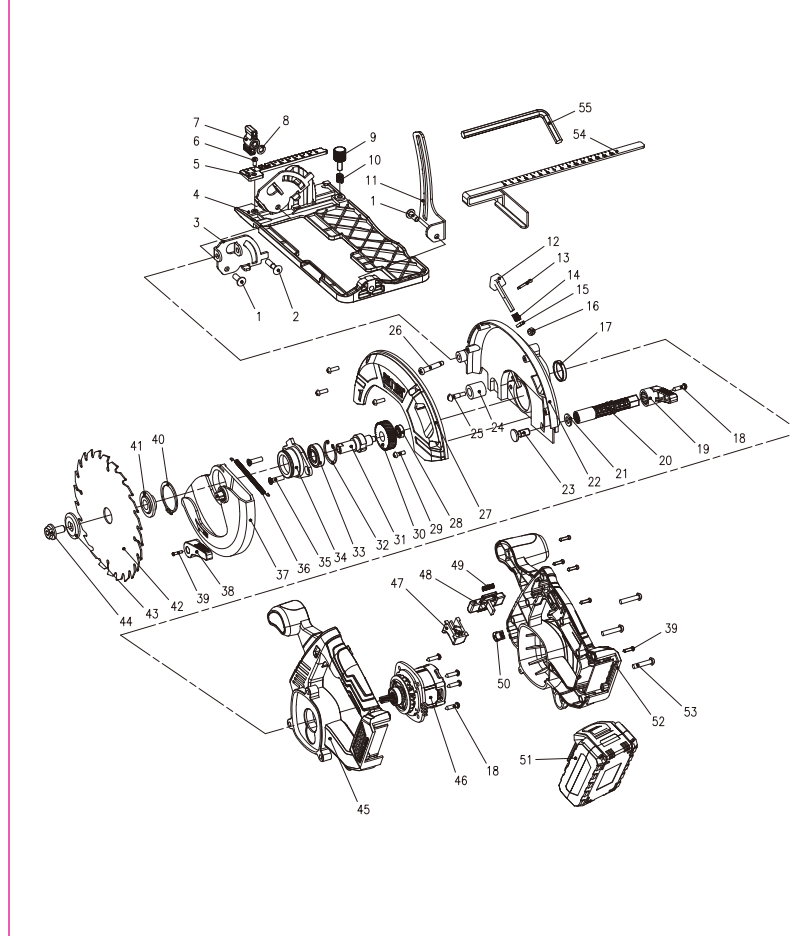
Environmental protection

In response to environmental protection, damage to natural resources and energy resources must be classified in detail to facilitate recycling.
In order to facilitate classification and recycling, all plastic parts are marked with a recycle symbol.

Component list

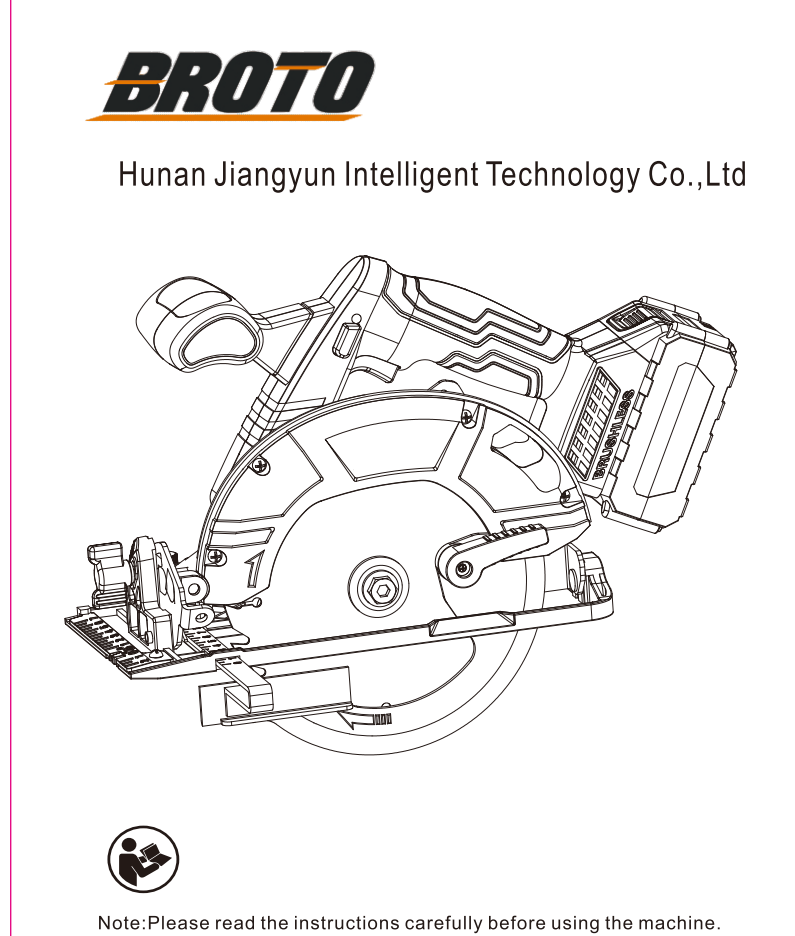
Serial No.	Name	Number	Serial No.	Name	Number
1	Thin head semi-circular rivets	2	30	Rigger	1
2	Round head square neck screw	1	31	Output shaft	1
3	High bracket	1	32	Output gear	1
4	baseboard	1	33	Deep groove ball bearing	1
5	Scale plate	1	34	Bearing pedestal	2
6	Plan washer	1	35	Cross recessed countersunk head screw	1
7	Angle locking knob	1	36	Mobile cover tension spring	1
8	Cross pan head screw	1	37	Handle cover	1
9	Lock screw	1	38	Mobile cover button	30
10	Shaft lock spring	1	39	External clasp	1
11	Depth indicator	1	40	Internal pressure plate	1
12	Shaft sleeve	1	41	Cross recessed pan head tapping screw	1
13	Cutter pin attack	1	42	Blade	1
14	Shaft lock spring	1	43	External pressure plate	1
15	Wood fit	1	44	Hexagon flange bolts	1
16	Lid nut	1	45	Handle	1
17	Swivel	1	46	Business motor	1
18	Cross recessed pan head tapping screw	1	47	ON/OFF button	1
19	Depth lock knob button	1	48	ON/OFF lock knob	1
20	Depth tube	1	49	ON/OFF lock knob spring	1
21	Plan washer	1	50	Lid washer	1
22	Internal guard cover	1	51	Battery pack	1
23	Round head square neck screw	1	52	Hoisting	3
24	Damper	1	53	Cross recessed pan head screw	1
25	Shaft sleeve	1	54	Guide	1
26	Shoulder screw	1	55	Wrench	1
27	Internal guard cover	1	56	Guide	1
28	Deep groove ball bearing	4			
29	Cross recessed countersunk head screw	1			

*This list just reference.



BROTO
My Tool, My Bro!

Company : Hunan Jiangyun Intelligent Technology Co., Ltd
Website : www.brototools.com
Address : Software Centre Building, Luguz Street, High-Tech Development Zone, Yuelu District, Changsha, Hunan, China



Note: Please read the instructions carefully before using the machine.
Brushless Lithium Circular Saw CQ-0053 Instruction

7 Brushless Lithium Circular Saw CQ-0053

Brushless Lithium Circular Saw CQ-0053

8 Brushless Lithium Circular Saw CQ-0053

Brushless Lithium Circular Saw CQ-0053

10

Brushless Lithium Circular Saw CQ-0053

Parameter	
Model No.	BR-Y0053
Voltage	20V
No-load speed	4000RPM
Blade Diameter	165MM
90° Cutting depth	57MM
45° Cutting depth	40MM
Weight	2.2KG

General safety warning for power tools

Warning! Read all safety warnings, instructions, warnings and regulations that come with power tools. Failure to follow the instructions listed below can result in motor, fire and serious injury. Save all warnings and instructions for review. In all of the warnings listed below, the term "power tool" means either mains driven (wired) power tools or battery (rechargeable) power tools.

A. Workplace safety
1. Keep the working area clean and bright. Cluttered and dark spaces can cause accidents.
2. Do not operate power tools in an explosive environment, such as flammable liquid, gas or dust. Sparks from power tools can ignite dust or gas.
3. Keep away from children and bystanders when operating power tools. Lack of concentration can cause you to lose control of your tools.

B. Electrical safety
1. The electric plug must match the socket. The plug must not be modified in any way. Grounding power tools should not use any conversion plug. Unmodified plugs and matching sockets will reduce the risk of electric shock.
2. Avoid human contact with grounding surfaces, such as pipes, heat sinks, and refrigerators. There is an increased risk of electric shock if your body touches the grounding surface.
3. Do not expose power tools to rain or moisture. Water entering power tools increases the risk of electric shocks.
4. Do not store the flexible wire. Never use the flexible wire to carry, pull the power tool or pull out its plug. Keep cords away from heat sources, oil, sharp edges or moving parts. Damaged or worn cords increase the risk of electric shock.
5. Use extension cords suitable for outdoor use. When using power tools outdoors, wires suitable for outdoor use will reduce the risk of electric shocks.

D. Use and precautions of power tools

1. Do not force the use of power tools, according to the use of appropriate power tools. Choosing the right power tools designed according to the rating will make your work more efficient and safer.
2. The power switch cannot be switched on or off, do not use the power tool. Power tools that cannot be controlled by switching are dangerous and must be repaired.
3. Before making any adjustments, replacing accessories, or starting power tools, remove the plug from the power supply and remove the battery. This protects safety measure, reduces the risk of electric shock, and prevents the power tool from accidentally starting power tools.
4. Store unused power tools out of the reach of children and do not allow them to be operated by people who are unfamiliar with power tools and do not understand the instructions. Power tools can be dangerous in the hands of untrained users.
5. Maintain power tools and accessories. Check for moving parts that are loose or stuck, parts that are damaged and other conditions that affect the operation of power tools. If damaged, the power tool should be repaired before use. Many accidents are caused by poorly maintained power tools.
6. Keep cutting tools sharp and clean. A well-maintained tool with a sharp cutting edge does not jam and is easy to control.
7. Select power tools, accessories, tool heads, etc. according to operation instructions, taking into account operating conditions and operations to be performed. Using power tools for operations that are not appropriate for their purpose can lead to dangerous situations.
8. Keep hands and holding surface dry, clean and free from grease. In the event of an accident, a slippery handle does not guarantee secure grip and control of the tool.

E. Battery tools and precautions
1. Use only the charger battery specified by the manufacturer. Chargers that work in one battery pack may be a hazard of injury and fire.
2. Do not use power tools equipped with special battery packs. Use of other battery packs may be a hazard of injury and fire.
3. When the battery pack is not in use, keep it away from other metal objects such as paper clips, keys, nails, screws, or other small metal objects to prevent one end of the battery pack from contacting the other. A short circuit at the end of the battery pack may cause combustion or fire.
4. Under abusive conditions, liquid may spill out of the battery pack. Avoid contact. Accidental contact with liquid, rinse with water. Seek medical attention if fluid touches the eye. Liquid spilled from the battery pack may contain electrolyte and, if inhaled, can lead to lung irritation or burn.
5. Do not use damaged or modified battery packs. Tools damaged or modified battery packs can have unpredictable results, resulting in fire, explosion, or injury.

F. Maintenance
1. Use the same spare parts to repair power tools by professional maintenance personnel. This will ensure the safety of the power tools being repaired.
2. Never repair a damaged battery pack. The battery pack can only be repaired by the manufacturer or a authorized service provider.

Brushless Lithium Circular saw use of safety warning

Cutting step
1. This danger, please keep your hands away from cutting area and saw blade. Please send another, hand on the auxiliary handle or motor shell. If the hands grip the circular saw, saw blade will not be able to cut.
2. Do not use hand to the workpiece under the shield at the bottom of the artifacts without meet saw blade to protect you.
3. According to the thickness of the workpiece to adjust cutting depth. Depth that not exceed the workpiece under the position of a sawtooth, tool otherwise it may cause rebound, to injury and take the right measures to avoid blade binding.
4. Do not put the workpiece in hand or on the leg for cutting. If the workpiece in a stable platform is the very important to support the workpiece correctly, which can try to reduce the body exposure to the cutting area, avoid blade-binding and keep the top in control.

Rebound reason and related warnings
Rebound of circular saw blades can make the binding or direction deviating from the sudden reaction, can lead to runaway circular saw along the cutting direction.
1. If the blade is compressed or binding on the saw cut, saw blade will stop movement, motor reaction driven tool rebound rapidly towards the operator.
2. When the blade is distorted or cutting direction deviation, the saw blade on the back of the both rim, rebound can make the circular saw jump out.
3. When the cutting operation interrupted or the blade being stuck, please release the trigger and keep circular saw in cutting material, until the blade stopped completely. When the blade is motion, do not attempt to remove the circular saw, and pull the tool otherwise it may cause rebound, to injury and take the right measures to avoid blade binding.
4. When reset the circular saw, put the blade in the center of the kerf, and check whether the sawtooth is hitting the material. When the circular saw starting again after a possible shock, the saw blade may rebound, to injury and take the right measures to avoid blade binding.
5. Please fix the saw blade support plate to minimize hole shrinkage and rebound. Large panel will sag under its own weight. Must check strutting plate below the panel near the cutting line on both sides and on the edge of the panel.

Correct posture
To avoid rebound, please placed the cutting board or panel near cutting place.

Functions of the protective cover
1. In emergency, if the lower shield can't move freely and quickly closed, please do not use the circular saw. Do not put the blade cover in the open position. If the circular saw falls accidentally, a bottom cover will pop up. Make sure that it could move freely in different Angles and depth in cutting operations, and never touch blade or any other parts.
2. Check the condition of the shield spring. If the spring do not work, must repair it before next operation. If damaged, bending or accumulation of debris, the shield may become blunt and dull.
3. The lower shield should be manually outback when doing operations like "plunge cutting" or "compound cutting". Rise the bottom cover, once the saw blade goes into the cutting material, release the lower shield. For other cutting operations, the shield should be automatically operated.
4. Before the circular saw placed on a table or on the floor, please always first check whether the saw blade is well covered. Unprotected sliding of the saw blade can lead to a circular saw move backward, cutting the objects in its path. Please note the time

8

1. Do not use blunt or damaged blades. Saw blade without polishing or placed incorrectly can make the kerf narrow, lead to too much friction, binding or check the details, then loosen and view the shield. Also check the handle, ensure that it will not touch the shell. An expanded blade is very dangerous, may cause serious physical injury.

Additional safety warning
1. Cutting damp wood, pressurized wood or free contains nodes, please be careful! Keep smooth driving tool and not reduce the blade speed to avoid the saw tooth overheating.
2. When saw blades are moving, please do not try to remove the cutting material. Please wait until the blades stopped completely and then grab cutting material. After the power was turned off, blade also will move a distance.
3. Be careful not to cut the nails. Please check whether there is a nail on the wood before cutting and remove it.
4. During cutting, do not place the wider side of the circular saw on top of the part to be cut. For example, Figure 1 shows the right way of cutting. Figure 2 shows the wrong way of cutting. If workpiece very short or very small, please hold it. Don't try to hold short workpiece.

Warning: Do not for convenience or familiar enough for products (due to repeated use) and not strictly follow the relevant product safety rules. Improper use or does not follow the instructions of safety rules will result in serious personal injury.

Important security considerations of the battery pack
1. Before any maintenance, must first take out the battery pack.
2. Forbid to put the machine in rain or water.
3. Do not stored the battery pack higher than 40°C environment.
4. Changing under the environment of 0°C to 30°C. Ideal charging temperature is 18°C to 24°C.
5. Use only the charger and battery comes with this product.
6. To avoid battery short circuit, (such as: don't let the both, nails, etc. access to the battery positive and negative).
7. Forbid to charge combustion battery pack or abandoned in the fire, will cause explosion.
8. Forbid to charge the damaged battery.
9. If the charger's power cord is damaged, please change in time.
10. Before remove the battery, be sure to unplug the charger plug.

11. When charging, the charger and battery pack lever is a normal phenomenon.
12. If do not use the machine, please do not insert the battery to charger.
13. During working time, fuelage and battery pack lever is a normal phenomenon.
14. Waste battery pack must be sent to the local collection points.
15. Keep alert, when operating a power tool must be conscious attention in operation. Please do not operate the machine cover fatigue, drugs, alcohol or therapeutic reaction. Avoid to cause serious personal injury.

Warning! The battery pack under the condition of the temperature too high or excessive use, leakage phenomenon could occur. If the battery with liquid into the skin, wash with soap. If accidentally touch the eyes, rinse with water immediately. And immediately to the hospital for treatment.

Function
Attention: Before adjustment or inspection tool function, please be sure to close the tool of power supply and take out the battery pack.

Switch operation
Attention: Before install the battery pack to the tool, please be sure to check the switch if you can pull the trigger freely, loosen when can return to the closed position.
In the absence of press the locking lever, please do not pull the switch trigger. That could lead to switch control.

Switch
1. ON/OFF Switch
2. Locking lever

Warning: For your security, this tool is equipped with a locking lever, can prevent the tool to start. If switch when you just pull the trigger without press the locking lever, then to start the tool, please press the locking lever, then put the switch trigger. Loosen the switch trigger tool then stop.

Show status of the battery
Battery indicator

Warning: When opening the tool, battery indicator shows battery remaining power, battery low display are shown in table below.

Battery indicator status

Battery indicator status	Remaining battery capacity
● Green light ● Long bright	40%-100%
● Red light long ● Bright	20%-40%
● Red light flash	0%-20%
○ Lights off	No charge

Miter cutting
1. Front lock knob
Before loosen the front lock knob. By leaning tool to set the desired Angle accordingly (0 to 55°), and then tighten front lock knob.

Alignment
1. Cutting line 0°
2. Cutting line 45°
3. Screw
For linear cutting, let the position of 0° in the front base and your cutting line alignment. For 45° oblique cutting, please let 45° position and cutting line alignment. The position of the top plate can be adjusted.

Light up
Attention: Do not touch light or light source.
1. Light
When turning on the lights and running the tool, please press the lock lever and pull the switch trigger. This light remains on when the trigger switch is pulled. Release switch trigger 3-10 seconds later, lights off.

Note: When the tool switching or conversion speed, please use a dry cloth to wipe the dust on the lamp holder. Be careful not to scratch the lantern head. Otherwise it will reduce the brightness.
Do not use gasoline, thinner or similar liquid to clean the lamp holder. Otherwise, the lamp holder will be damaged.

Adjustment of cutting depth
Attention: After adjusting the cutting depth, please be sure to tighten lock knob.
1. Light
2. Depth bracket
Loosen the hand side locking knob, move up or down the base. At the cutting depth and tighten rod to tighten the base. To make cutting cleaner, safer, the cutting depth should not exceed the distance of a saw tooth. Below the workpiece. Dangerous if cutting depth may help reduce rebound.

1 Brushless Lithium Circular Saw CQ-0053

Brushless Lithium Circular Saw CQ-0053

2

Brushless Lithium Circular Saw CQ-0053

4

Brushless Lithium Circular Saw CQ-0053