

The installation of the shield (see figure B, C)

Warning:
Any operation on the power tools (such as maintenance, replacement tools, etc.), as well as handling, save electric tools please make sure the machine switch closed well and remove the battery pack, inadvertently switch operation may cause damage.

Install shield: Unscrew the guard with a screwdriver, align the raised part on the inner ring of the shield with the slot of front cover, press the grinding wheel in the direction of the output shaft, rotate the wheel guard to need to position, then use screwdriver lock screws on the cover, the wheel guard firmly fixed on the front cover.

Note: For grinding operation, the installation direction of the grinding wheel cover should be selected to work can keep out the orientation of the flying sparks.

The installation of the grinding wheel (as shown in figure D and E)

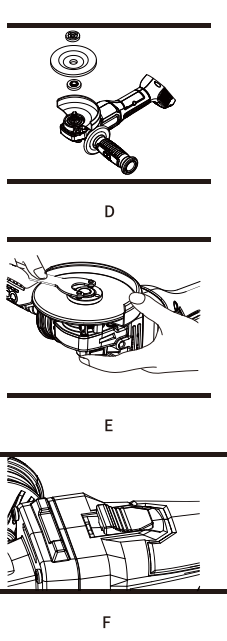
Any operation on the power tools (such as maintenance, replacement tools, etc.), as well as handling, save electric tools please make sure the machine switch closed well and remove the battery pack, inadvertently switch operation may cause damage.

When installation, clamp the slot on the internal pressure plate into the position of the output shaft flat seat, then install the grinding wheel into internal pressure plate, then let external pressure plate screwing in the output shaft, press the shaft lock button, twisted grinding wheel piece to shaft lock position, finally turn the external pressure plate clockwise with a wrench until the grinding wheel is locked and then release the spindle lock button.

The opening/closing tool (figure F)

Warning:
Open the tool first, and then operate on the workplace. Tool is turned off, put the tool in place after being stopped spinning.

Warning:
Please do not load startup, load can trigger the protection function.



Open tools: push the switch button and press after push in place, the lock switch electricity, tools to open it. Shut down tools, press the switch button at the back, since the lock off switch is reset, power tool back to the initial state.

Other instructions

Must ensure that the machine is in good condition before operation, the guard is in the correct installation position of the machine.

- 1) Before starting work, fixed grinding wheel piece of shield, rotating force to ensure its not activities.
- 2) Please do not block the air inlet and outlet when the machine is working.

Warning:
3) 15° to 30° grinding angle more conductive to grinding. Gently push and pull machine on the workplace surface when operation, it won't produce the high quantity of heat, the surface is not easy to change color and indented.

Maintenance and cleaning

Warning:
M3: be a professional can for tool maintenance.

Warning:
Any operation on the power tools (such as maintenance, replacement tools, etc.), as well as handling, save electric tools please make sure the machine switch closed well and remove the battery pack. Inadvertently switch operation may cause damage.

- 1) Save and use the attachment carefully.
- 2) Check the clamp. Use of damage pressure plate is easy to cause dangerous, often should check the internal and external pressure plate.
- 3) Check the screw. Regularly check whether screw fastening safely. Screw loose easily cause serious accidents.
- 4) Check and maintenance. Check it in check repair service center authorized by the company. Must check the enclosure for

cracks, switches are in good condition, mechanical parts for damage and so on. Overhaul should keep each parts. Use only accessories and spare parts for repair of the company.

- 5) Pay attention to clean and preserve. Keep the tools clean, especially to keep the ventilation slots clean smooth. Wipe it off after using it and stored in a dry, clean and no corrosive gas environment.
- 6) Please consult our company designated after-sales service agency in timely in the event of a failure.

Accessories

Wrench*1
Wheel cover*1
Auxiliary handle*1

Component list

Serial No.	Name	Number	Serial No.	Name	Number
1	Top pressing plate	1	18	Head housing	1
2	Bottom pressing plate	1	19	Needle bearing	1
3	Grinding wheel cover	1	20	Small gear	1
4	Cross recessed pan head screw	4	21	Seal ring	1
5	Output shaft	1	22	Deep groove ball bearing	1
6	Dust cover	1	23	Bearing gland	1
7	Front cover	1	24	Connecting shaft	1
8	O-Type rubber ring	1	25	Fan blade	1
9	Deep groove ball bearing	1	26	Wardribald	1
10	Chisel for hole	1	27	tight dust cover	1
11	Rig gear	1	28	Left/Right rubber coating case	1
12	Needle bearing	1	29	Cross recessed pan head tapping screw	8
13	Shaft lock pin	1	30	ON/OFF press button	1
14	O-Type rubber ring	1	31	ON/OFF rod	1
15	Cross recessed pan head tapping screw	4	32	Brushless motor	1
16	Shaft lock spring	1	33	Left dust cover	1
17	Shaft lock knob	1	34	Battery pack	1

*This list just reference.

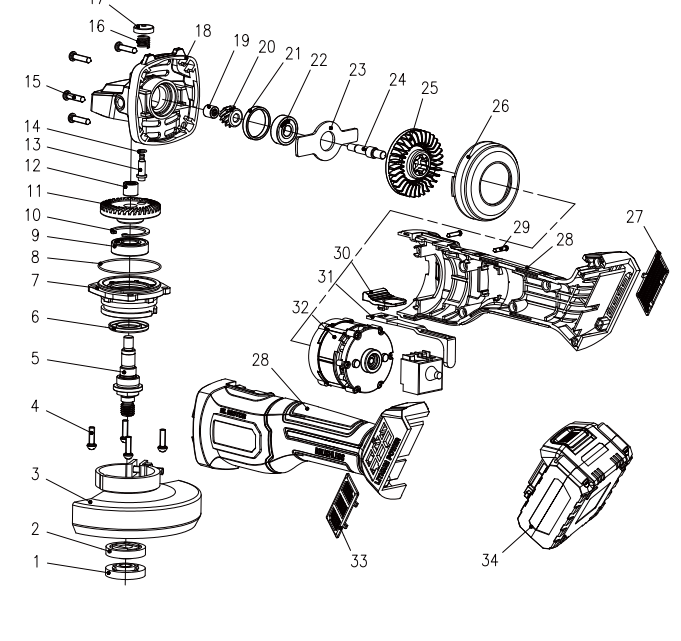
Environmental protection

In response to environmental protection, damaged machines, accessories and packaging materials must be classified in detail to facilitate and recycle. In order to facilitate classification and recycling, all plastic parts are marked with material.

Component list

Serial No.	Name	Number	Serial No.	Name	Number
1	Top pressing plate	1	18	Head housing	1
2	Bottom pressing plate	1	19	Needle bearing	1
3	Grinding wheel cover	1	20	Small gear	1
4	Cross recessed pan head screw	4	21	Seal ring	1
5	Output shaft	1	22	Deep groove ball bearing	1
6	Dust cover	1	23	Bearing gland	1
7	Front cover	1	24	Connecting shaft	1
8	O-Type rubber ring	1	25	Fan blade	1
9	Deep groove ball bearing	1	26	Wardribald	1
10	Chisel for hole	1	27	tight dust cover	1
11	Rig gear	1	28	Left/Right rubber coating case	1
12	Needle bearing	1	29	Cross recessed pan head tapping screw	8
13	Shaft lock pin	1	30	ON/OFF press button	1
14	O-Type rubber ring	1	31	ON/OFF rod	1
15	Cross recessed pan head tapping screw	4	32	Brushless motor	1
16	Shaft lock spring	1	33	Left dust cover	1
17	Shaft lock knob	1	34	Battery pack	1

*This list just reference.

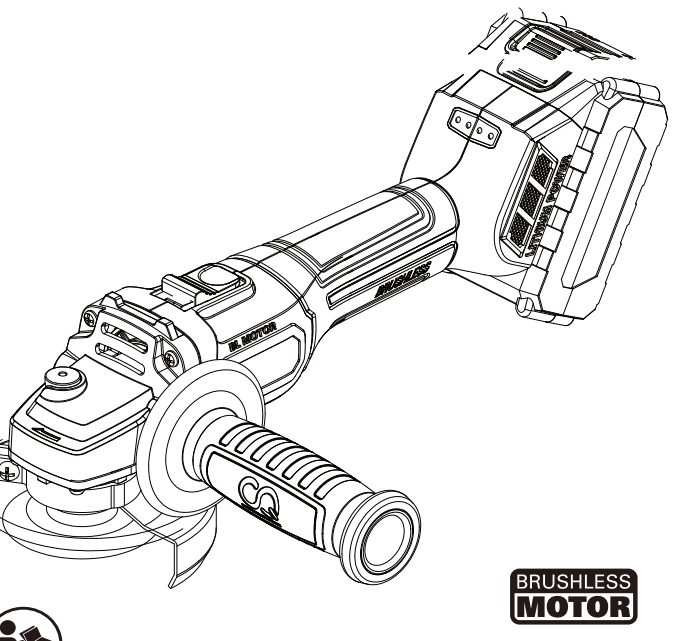


BROTO
My Tool, My Bro!

Company : Hunan Jiangyun Intelligent Technology Co., Ltd
Website : www.brototools.com
Add : Software Centre Building, Lugu Street, High-Tech Development Zone, Yuelu District, Changsha, Hunan, China

BROTO
My Tool, My Bro!

Company : Hunan Jiangyun Intelligent Technology Co., Ltd
Website : www.brototools.com
Add : Software Centre Building, Lugu Street, High-Tech Development Zone, Yuelu District, Changsha, Hunan, China



Note: Please read the instructions carefully before using the machine.

BROTO
Hunan Jiangyun Intelligent Technology Co., Ltd

Brushless MOTOR

Note: Please read the instructions carefully before using the machine.

Brushless Lithium Angle Grinder CQ-0080 Instruction

General safety warning for power tools

Warning: Read all safety warnings, instructions, drawings and regulations that come with power tools. Failure to follow the instructions listed below can result in electric shock, fire and/or serious injury. Save all warnings and instructions for review.

1. Keep the working area clean and bright. Cluttered and dim spaces can cause accidents.
2. Do not operate power tools in an explosive environment, such as flammable liquid, gas or dust. Sparks from power tools can ignite dust or gas.
3. Keep away from children and bystanders when operating power tools. Lack of concentration can cause loss of control of your tool.
4. Do not expose the flexible wire. Never use the flexible wire to carry, pull the power tool or pull out its plug. Keep flexible wire away from heat sources, oil, sharp edges or moving parts. Damaged or wound cords increase the risk of electric shock.
5. Use extension cords suitable for outdoor use when using power tools outdoors. Wires suitable for outdoor use will reduce the risk of electric shocks.
6. Operation of power tools in wet conditions cannot be avoided, use a power supply with residual current device (RCD) protection.
7. Select power tools, accessories, tool heads, etc. according to operation instructions, taking into account operating conditions and operators to be performed. Using power tools for operations that are not appropriate for their purpose can lead to dangerous situations.
8. Keep handle and holding surface dry, clean and free from grease in the event of an accident, a slippery handle does not guarantee secure grip and control of the tool.
9. Do not use the charger battery specified by the manufacturer. Chargers that work on one battery pack may be a fire hazard when used on other battery packs.
10. Use only power tools equipped with special battery packs. Use of other battery packs may cause injury and fire.

3. Don't overexert your hands. Always pay attention to your footing and balance. This will give you better control over power tools. Failure to follow the instructions listed below can result in electric shock, fire and/or serious injury. Save all warnings and instructions for review.

1. If a device is provided to connect to the dust removal and dust collection equipment, ensure that it is well connected and properly used. The use of dust collecting devices can reduce the hazard caused by dust particles.
2. Don't let the familiarity of frequent use of the tool cause you to ignore the safety guidelines of the tool. A careless action can lead to serious injury or even death.
3. Do not use damaged or modified batteries or tools. Damaged or modified battery packs can have unpredictable results, resulting in fire, explosion, or injury.
4. Do not expose the battery pack to fire or high temperatures above 130°C may cause an explosion.
5. Use the same spare parts to repair power tools. Professional maintenance personnel. This will ensure the safety of the power tools being repaired.
6. Never repair a damaged battery pack. The battery pack can only be repaired by the manufacturer or its authorized service provider.

Angle Grinder Safety Warning

General safety warning of grinding operation

1. The power tool is used for grinding the function of sand grinding tool. Read with the power tool provides all the safety warning, instructions, diagrams and rules. Don't understand all the below listed information will lead to the electric shock, fire or serious damage.
2. Do not recommend using the power tools such as turning, polishing or cutting operation. Power tools not according to the specified function to operate, may be dangerous and cause personal injury.
3. Do not use the accessories not from tool manufacturers' recommendation and special design. Otherwise maybe the attachment can put on your power tool, but it can not guarantee safe operation.
4. The rated speed of attachment must be at least equal to the maximum speed of power tools. The speed of attachment is greater than the rated speed will burst and sparks.
5. Outside diameter and thickness of attachment must be in the range of power tools rated capacity. Incorrect attachment size can not be fully protection or control system.
6. Grinding wheel, flange, back cushion, or any other accessories shall hole size must be suitable for installation on power tool spindle. With a shaft hole or accessories not consistent with power tools will be instability, excessive vibration and may cause out of control.
7. Do not use damaged accessories. Before use please check the attachment, such as grinding wheel debris and cracks, back cushion whether some cracks, tears or excessive wear, whether loose whether wire brush or wire fracture. If power tools and accessories feel, check whether there is damage or installation accessories without any damage. Check and install attachment, let oneself and onlookers location away from the plane of the rotary attachment, and run at power tool maximum no-load speed for 1 min. The attachment is usually damaged in this experiment.
8. Wear protective equipment. According to the applicable conditions, use masks, safety goggles or safety glasses. When applicable, wear dust mask, hearing protector, gloves, and apron which can block work clothes. Eye shield must stop flying debris produced during operation. Generated particles, long-term exposure to high-intensity noise can cause hearing loss. Let onlookers and work area to keep a safe distance.
9. Any people entering the work area must wear protective equipment. Artifacts or fragments of broken accessories may fly out and cause harm to others. Cutting attachment hit a charged conductor can make power tools exposed metal parts charged, and make the operator to get an electric shock.
10. When the cutting attachment may put into the dark lines or itself wire during operation, only through grip the insulation surface to hold power tools. Hit a charged conductor may make power tool exposed metal parts charged and make the operator in the danger of electric shock.
11. The cord away from the rotary attachment. If improper control, cord can be cut off or winding, and makes your hands or arms may be involved in rotation in the attachment.
12. Put the power tools units attachments completely stop moving. Rotary attachment may grab the surface and pull the power tools and make you lose control of the tool.
13. Don't start to work when carrying power tools. Accidentally hit a rotate attachments may wrap your clothes and make the accessories damage the body.
14. Often clean power tool vents. Motor fan will inhale dust into the machine, high metal powder deposition can lead to electrical hazards.
15. Don't near flammable materials operating power tools. Sparks may fire the material.
16. Don't use near cooling fluid accessories. Water or other liquid coolant may cause corrosion or electric shock.

Further safety instructions for all operations

Rebound and related warning:

Rebound is because of reaction force generated by stuck or winding of the rotating grinding wheel/back cushion/break or other accessories.

Stuck or winding will cause rotation attachment quickly blocked, loss of control power tools produce motion which opposite to the direction of rotation of accessories in stuck point.

For example, if the grinding wheel is winding or stuck by workpiece, the edge of the grinding wheel that extends into the stuck point may enter the material surface and cause the grinding wheel to crawl out or rebound. Grinding wheel may fly to or fly away from the operator, depending on the grinding wheel stuck points in the direction of movement. Under this condition, the grinding wheel may also be broken. Rebound is power tools misuse and/or incorrect operation the result of the process or condition can take the following given appropriate preventive measures to avoid:

1. Don't hold power tools, make your body and arms to resist rebound in the correct state. If there are any auxiliary handles, should use it always, for maximum control of rotation and negative torque when starting. If appropriate prevention measures are taken, the operator can control the torque or rebound.
1. Can't close to the rotate attachment. Attachments may rebound touch hands.
2. Don't stand in the event of a rebound when the power tools may be moved to the place. In the winding point, rebound will drive the tool in the direction of the reverse grinding wheel movement direction.
3. Please be careful while working at the sharp corners and sharp edges. Avoid attachments lousie and winding.
4. Do not install the saw chain, wood blade or toothed saw blade. The saw blade can produce frequent rebound in and out of control.

Sanding operation of additional security

Special safety warning for grinding operation

1. Use only the recommended model and specially designed cover for grinding wheel is not designed for power tool grinding wheel is not fully get protection, it is not safe.
2. Cover must be firmly installed in electric tools, and placed the most safety, only the smallest wheel part exposed in front of the operator. Shield to help protect the operator from burst fragments and the risk of accidentally hit grinding wheel.
3. Grinding wheels should only be used for recommended purposes. For example, do not use the side of the cutting grinding wheel for grinding. Lateral force to the grinding wheel may lead to fracture.
4. Always select undamaged, appropriate specifications and shape of the grinding wheel flange. The appropriate grinding wheel flange can reduce the possibility of broken. Cutting wheel flange can be different from the grinding wheel flange.

5. Don't use leftovers from the large size of power tool wear grinding wheel. Applied to large size power tool grinding wheel is not suitable for the working condition of high speed of smaller size tools and could burst.

Marks

To minimize damage, users should read the instructions carefully before using.

Warning label

Indoor use only

Do not expose to fire

Do not rain in water

Please wear a dust mask

Please wear goggles

Please wear protective ear muffs

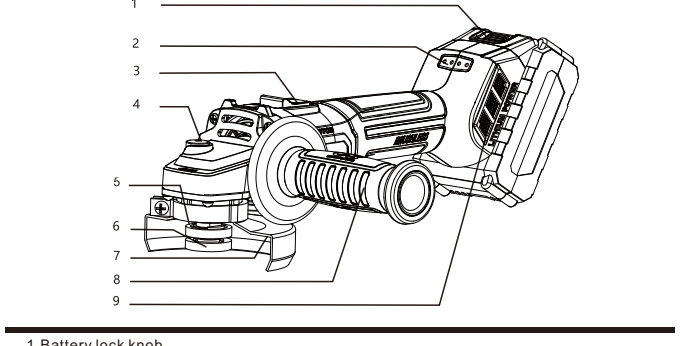
The body of the product (excluding battery) does not contain toxic or harmful substances or elements, and it is a green product. It can be recycled after waste, and should not be discarded at will.

The battery of this product contains toxic and harmful substances or elements, its environmental protection life is 10 years, it can be recycled after discarded, should not be discarded at will.

Parameter

Voltage	12V
No-load speed	9000RPM
Battery	4000mAh/6000mAh

We suggest that you choose your accessories from the shop where you buy power tools. Please use the high quality accessories of well-known brands and choose the accessories that are suitable for your work. Please refer to the attached package description before use, you will get more methods and help to use.



Product instructions

Warning: Read all the warning and instructions. If not really follow the warning and instructions, may cause electric shock, fire and/or other serious injury.

Warning: Any operation on the power tools (such as maintenance, replacement tools, etc.), as well as handling, save electric tools please make sure the machine switch closed well and remove the battery pack. Inadvertently switch operation may cause damage.

Please wear goggles.

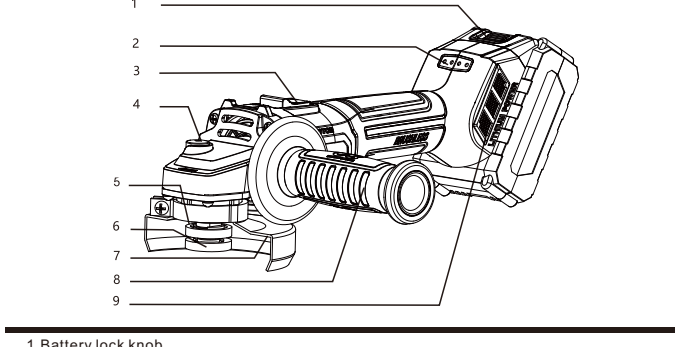
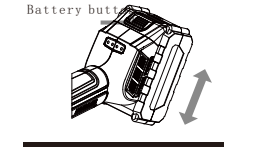
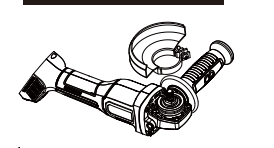
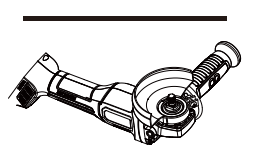
Install/remove the battery pack (see figure A)

Warning: Before install or remove the battery pack, please make sure the machine switch is closed.

Warning: Please hold tools and battery when install or remove the battery pack. Otherwise they may slip from your hand, lead to tools and cell damage, even cause personal injury.

Install the battery pack: push the battery pack into the machine, hear a click.

Remove the battery pack: according to the battery pack button, and then pull it out in the direction shown by the arrow.

Brushless Lithium Angle Grinder CQ-0080 Instruction

1
2
3
4
5
6
7
8
9

1. Battery lock knob
2. Electric quantity display
3. on/off switch
4. Self-lock button
5. Inner pressing plate
6. Outside pressing plate
7. Shield
8. Auxiliary handle
9. Dust cover

*Some of the accessories mentioned in the drawings or works are not included in the scope of supply.
*Buckle can be installed (this model does not include buckle)